

INSULATE AN EXTERIOR DOOR

A leaky exterior door will create uncomfortable drafts in the winter, reducing the efficiency of the heating system. Proper insulation of the door improves efficiency of the heating system, saving energy and money.

ADVANTAGES

- Prevents drafts
- Saves energy and money.

Tools required : Exacto blade or similar tools to cut

Materials Required : Door weatherstripping

Estimated time taken: 1-2 hours

Project cost: Material is available from \$10

INSTALLATION

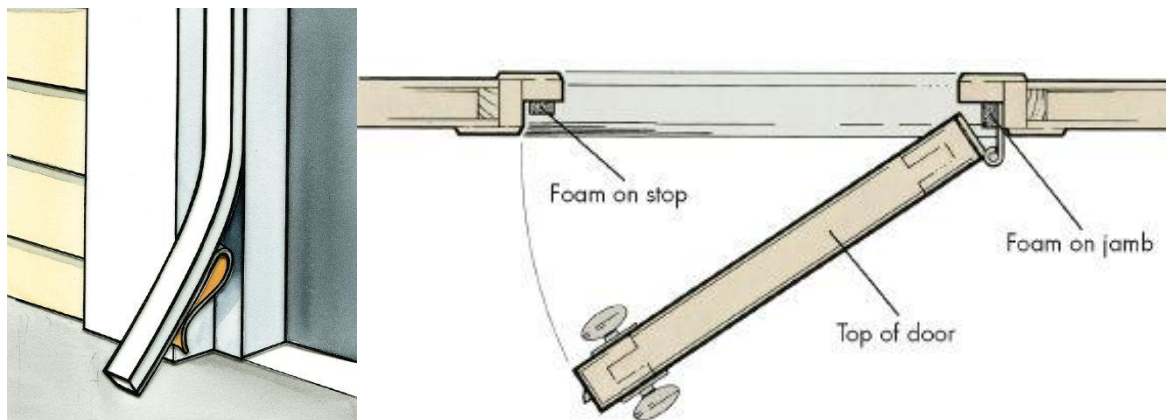
Several weatherstripping options are available, some of the most common ones are illustrated below.

HOW TO

Using self-stick foam:

Step 1: Clean surface where weatherstripping is to be attached with detergent and water. Make sure no dirt or grease remains.

Step 2: Measure the top and the sides of the door. Cut the self stick foam strip according to the measurements of the door. Remove the tape backing and attach the foam strips on the hinge side to the door jamb, on the top of the door, and on the stop of the door.



Install a Door Sweep

Door sweeps are available online or at home supply stores for about \$10. They can be installed without having to take the door off its hinges.

Tools required : Drill, screws

Materials Required : Door sweep

Estimated time taken: 1-2 hours

Project cost: Door sweeps are available starting from \$10

Step 1: Mark and pre-drill holes on the door.

Step 2: Drill in screws to install and secure the sweep on the door.



For more ways to insulate your exterior door, visit [DIY: How to Insulate An Exterior Door](#)